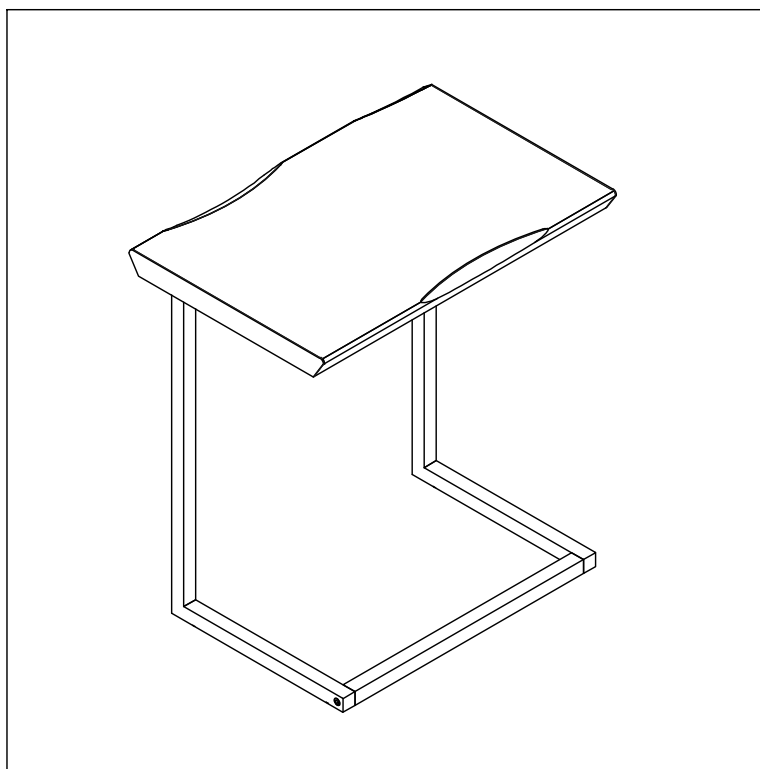


WORLD MARKET®

Assembly Instructions

Sloan Live Edge Laptop Table

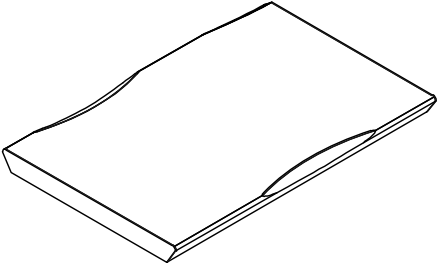
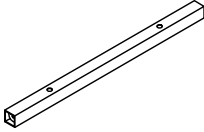
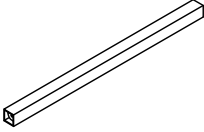
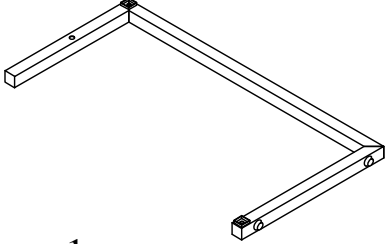
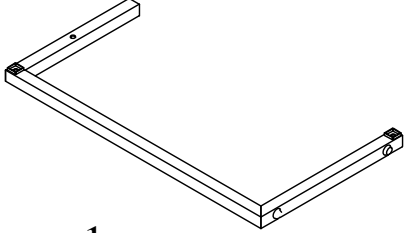
SKU - 574834



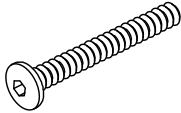
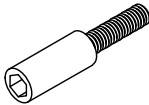
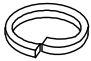

THANK YOU FOR PURCHASING OUR QUALITY PRODUCT. IF YOU HAVE ANY QUESTIONS PERTAINING TO THE ASSEMBLY OF THIS FURNITURE PIECE, PLEASE CONTACT YOUR NEAREST COST PLUS WORLD MARKET STORE, OR CALL OUR TOLL FREE NUMBER 877-967-5362 FOR ASSISTANCE.

NOT FOR COMMERCIAL USE.

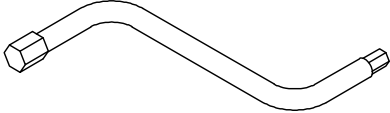
Part List

 <p>A : Top Panel - 1 pc</p>	 <p>B : Top Rail - 1 pc</p>	 <p>C : Bottom Rail - 1 pc</p>
 <p>D : Left Leg - 1 pc</p>	 <p>E : Right Leg - 1 pc</p>	

Hardware List

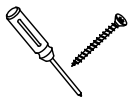
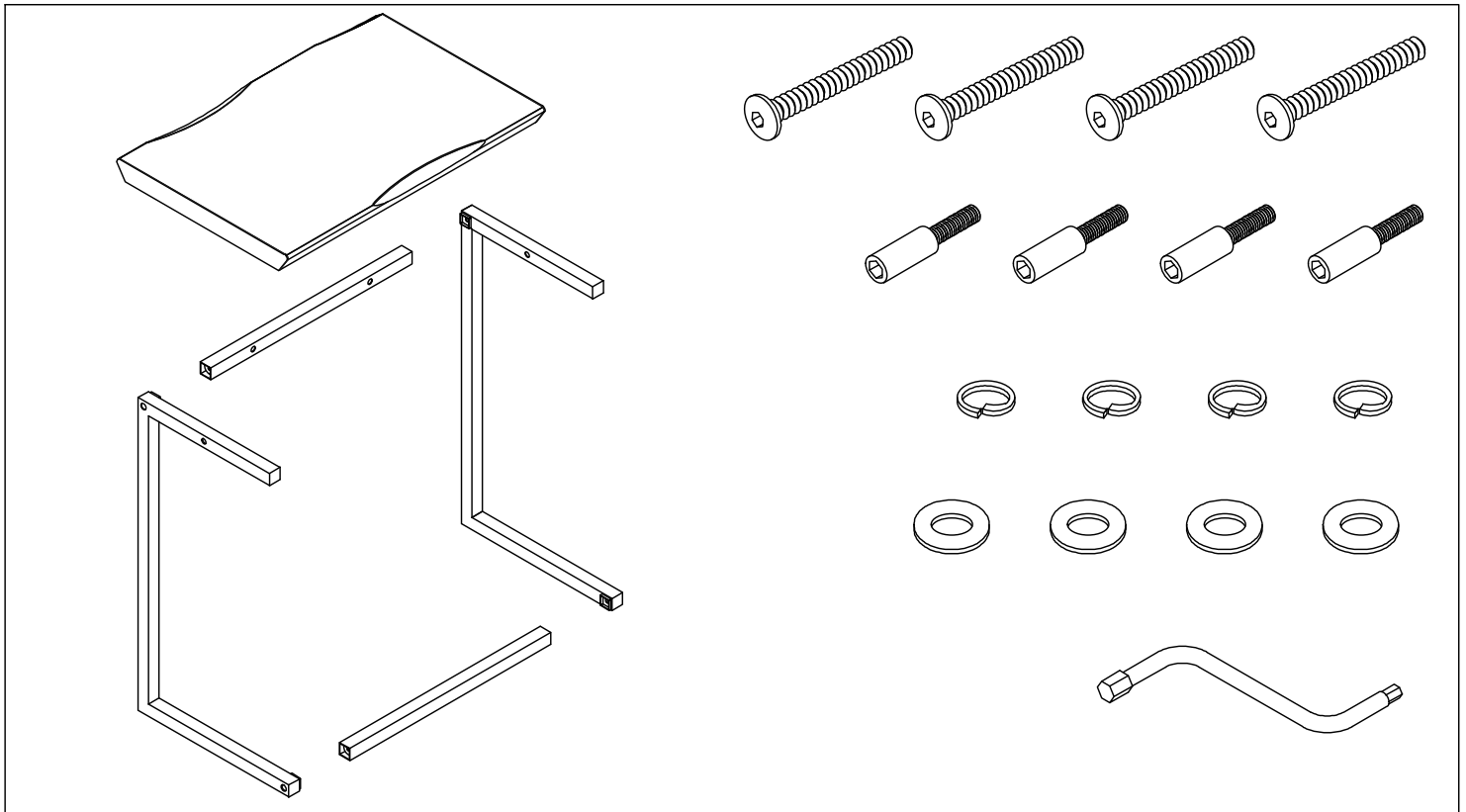
LABEL	PICTURE	DESCRIPTION	QTY
H-1		Allen Bolt M6x45 mm.	4
H-2		Countersunk Allen Bolt M6x22 / Head Ø10x24 mm.	4
H-3		Lock Washer Ø6x10.5x2 mm.	4
H-4		Flat Washer Ø6x16x1 mm.	4

Tool List

LABEL	PICTURE	DESCRIPTION	QTY
T-1		Allen Key 4 x 5 mm.	1

Assembly Preparation

Before Beginning :



- Unpack all hardware bags and components to ensure you have all parts.



- Read instructions, cover to cover.



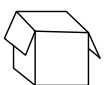
- Have 2 adults on hand for assembly.



- Do not assemble on flooring or carpet.



- Assemble on a clean non-marring surface (packing foam).



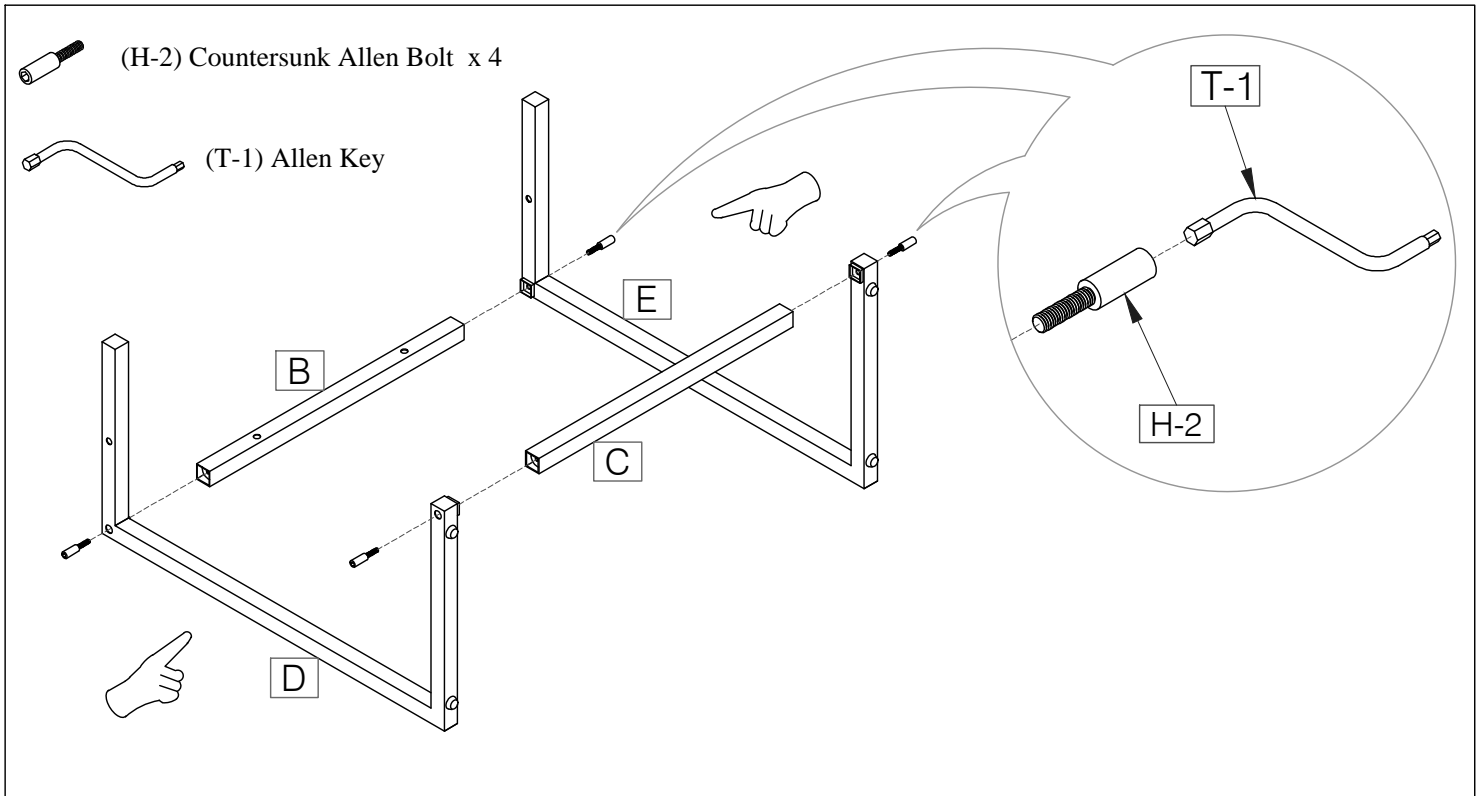
- Save all packaging until finished.



- In case of missing parts, please contact your nearest Cost Plus World Market store or our customer service call center 877-967-5362.

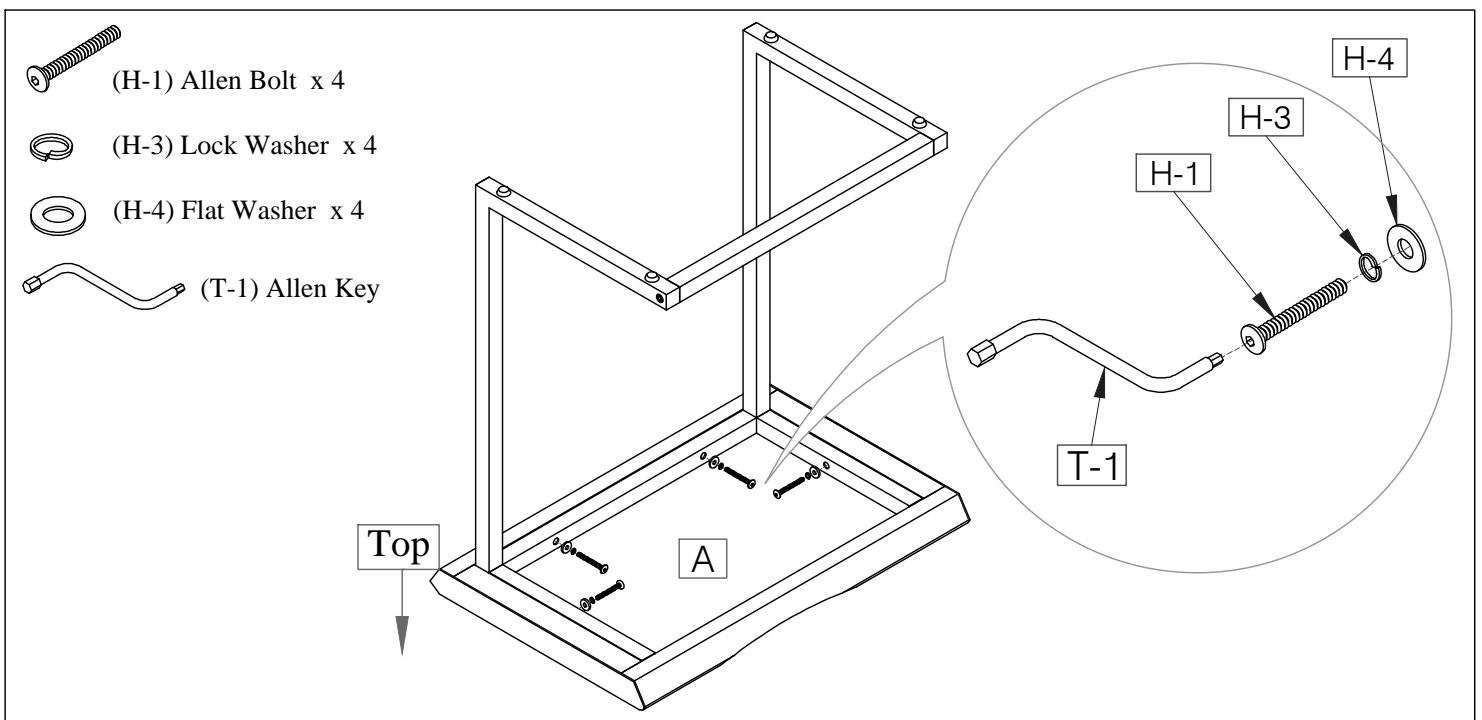
Assembly Steps

Step 1



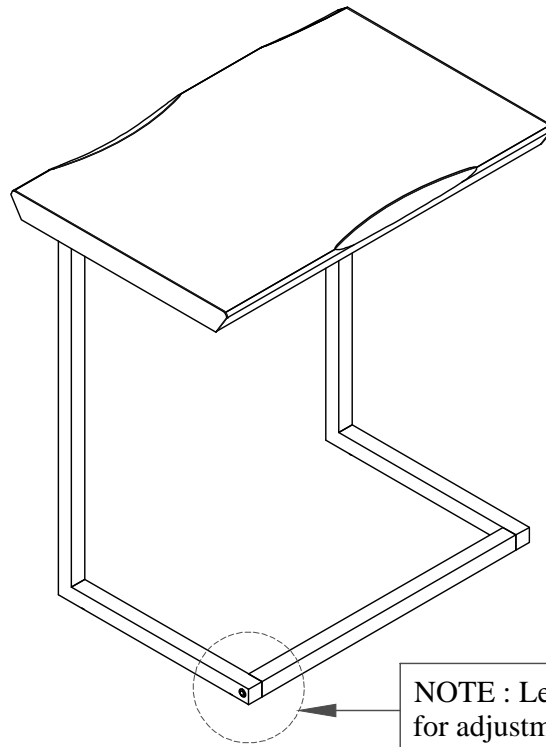
On a non-marring surface, position and secure Top Rail (B) and Bottom Rail (C) to Left Leg (D) and Right Leg (E) as shown. Secure both rails using Countersunk Allen Bolts (H-2). Fully engage all bolts and then fully tighten using Allen Key (T-1).

Step 2



Place Top Panel (A) upside down onto a non-marring surface. Secure the assembled metal base (from Step 1) to Top Panel (A) using Allen Bolts (H-1), Lock Washers (H-3) and Flat Washers (H-4), stacking the hardware in the order as shown. Fully engage all bolts first and then fully tighten using Allen Key (T-1).

Step 3



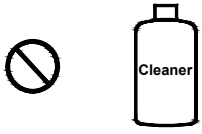
NOTE : Levelers can be used for adjustment if needed.

Turn the assembled unit upright. The Table is assembled and ready for use.

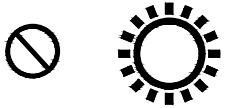
Care & Maintenance



- Do not put hot items directly on furniture surface.



- Do not clean furniture with harsh cleansers or polish.



- Do not place furniture in direct sunlight.



- Do not place furniture near heating or cooling vents.



- Do not write on furniture without a padded barrier to protect the surface.



- Do not place furniture outside. For indoor use only.



- Not for commercial use. For residential use only.



- Dust and pick-up spills using a clean, non-colored, lint-free cloth.